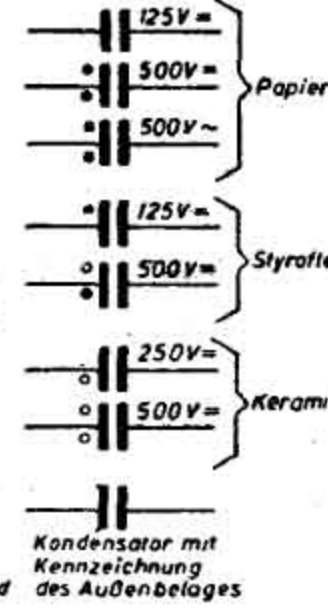
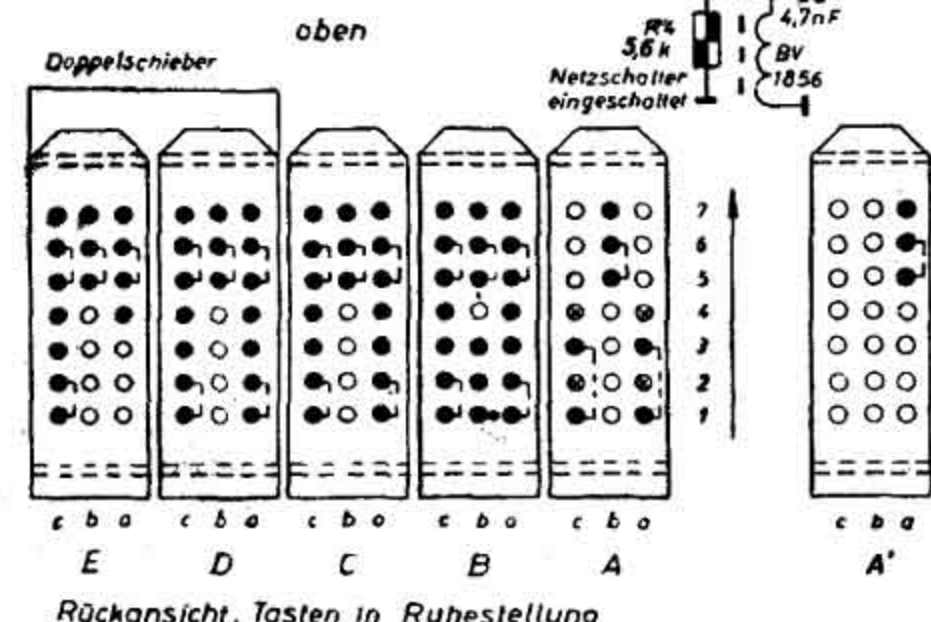
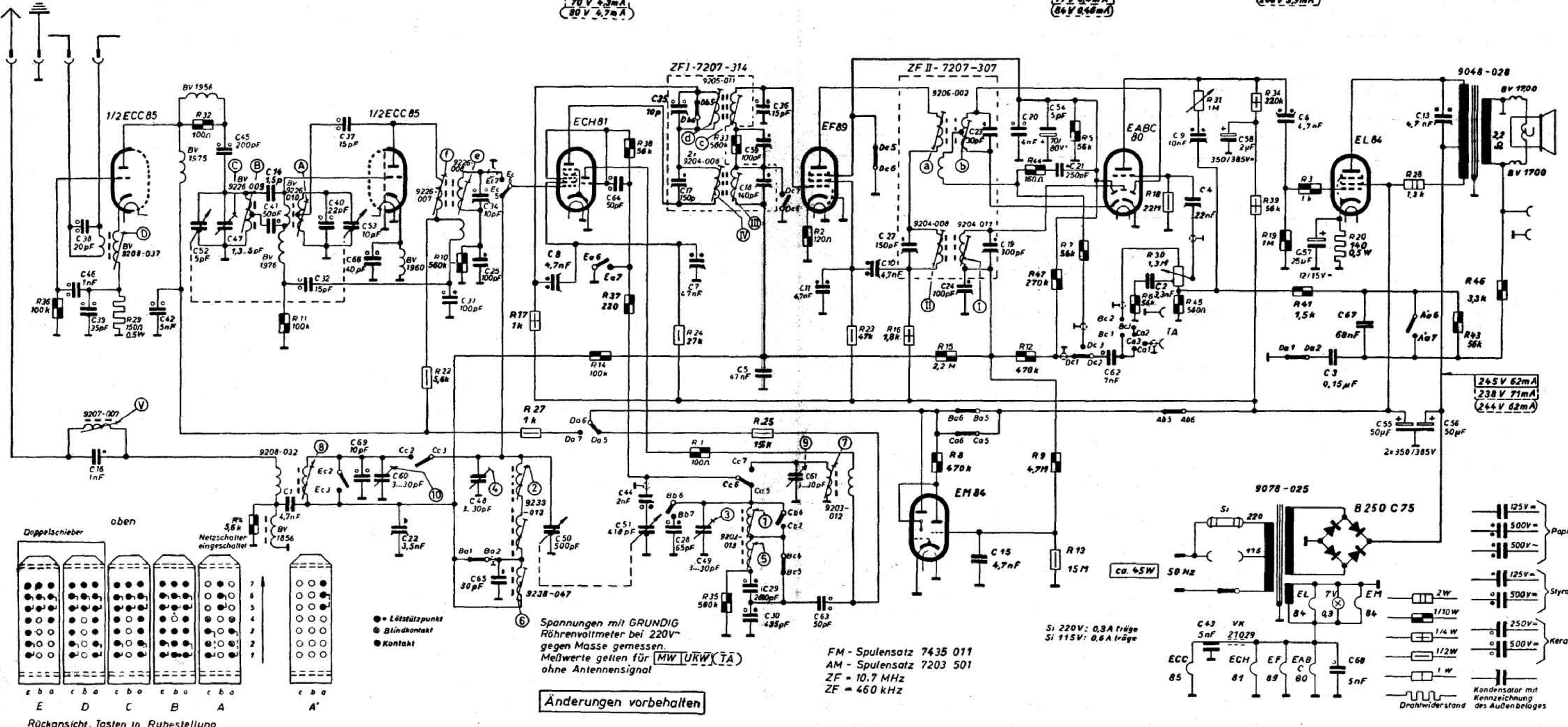
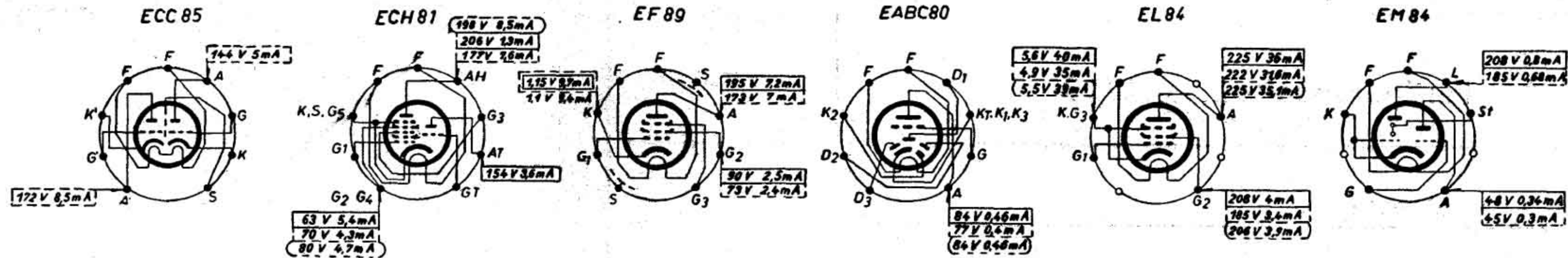


# Musikgerät 97



C:	16, 46, 38, 39, 42, 52, 45, 47, 41, 1, 74, 32, 40, 37, 53, 66, 60, 22, 31, 48, 34, 25, 50, 0, 64, 51, 44, 28, 35, 17, 49, 7, 36, 59, 18, 5, 30, 61, 11, 63, 10, 27, 43, 24, 15, 23, 19, 20, 21, 54, 26, 62, 2, 4, 9, 43, 58, 6, 57, 3, 67, 68, 55, 56, 13,
R:	36, 29, 32, 4, 11, 22, 10, 27, 17, 14, 37, 38, 24, 1, 33, 35, 25, 2, 23, 16, 8, 15, 44, 12, 47, 13, 9, 5, 7, 6, 18, 30, 45, 21, 42, 11, 14, 39, 19, 41, 3, 20, 28, 63, 46